

PELLA CORPORATION

IMPERVIA 2.0 FIXED CASEMENT (NON-HVHZ) (IMPACT)



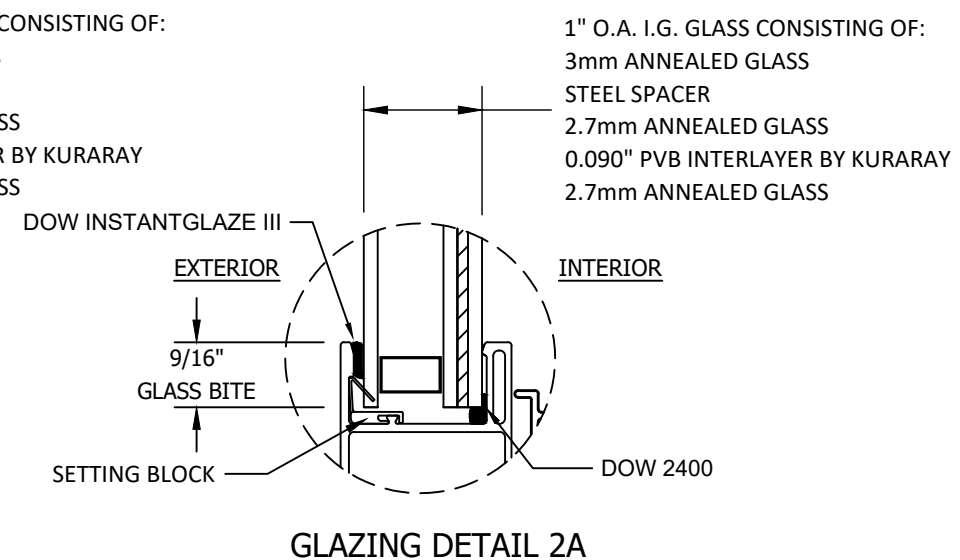
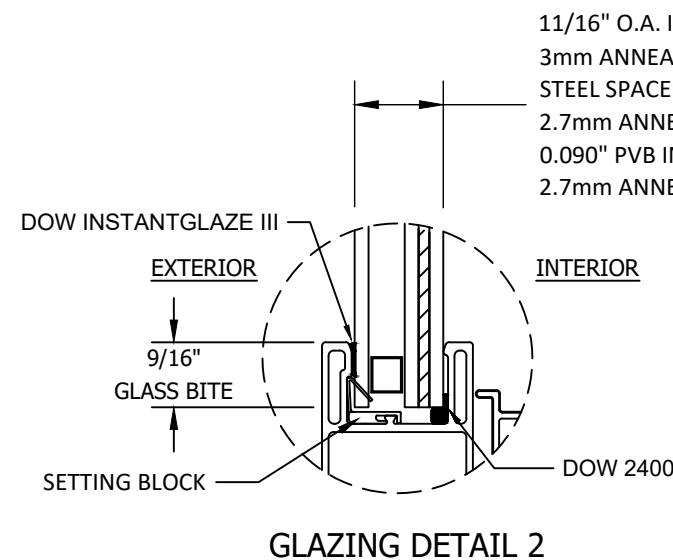
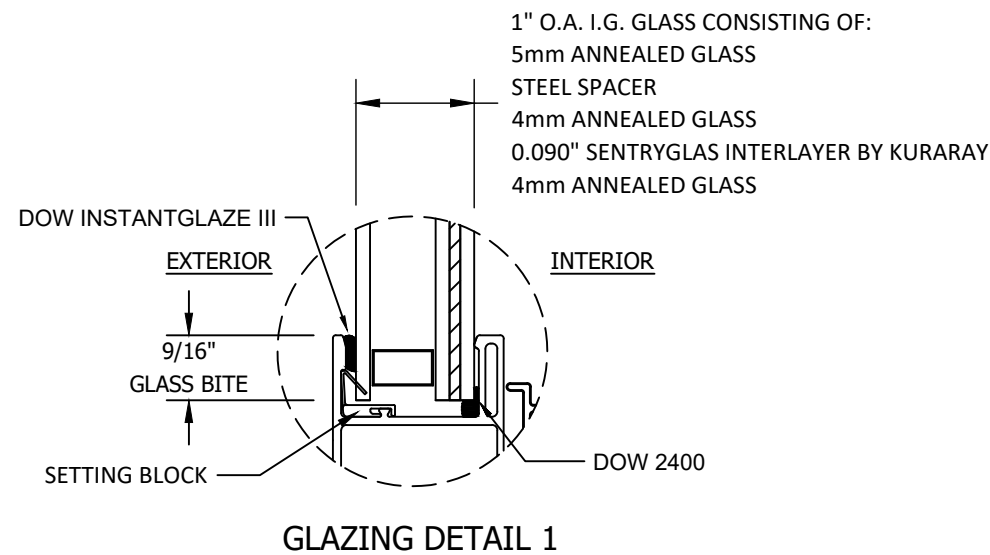
102 MAIN ST.
PELLA, IA 50219
PH: (641) 621-6096

GENERAL NOTES:

- THE PRODUCT SHOWN HEREIN IS DESIGNED AND MANUFACTURED TO COMPLY WITH THE CURRENT EDITION FLORIDA BUILDING CODE (FBC), **EXCLUDING HVHZ**, AND HAS BEEN EVALUATED ACCORDING TO THE FOLLOWING:
 - ASTM E1886-13A
 - ASTM E1996-17
 - AAMA/WDMA/CSA 101/I.S.2/A440-11/17
- ADEQUACY OF THE EXISTING STRUCTURAL CONCRETE/MASONRY, 2X FRAMING, AND METAL FRAMING AS A MAIN WIND FORCE RESISTING SYSTEM CAPABLE OF WITHSTANDING AND TRANSFERRING APPLIED PRODUCT LOADS TO THE FOUNDATION IS THE RESPONSIBILITY OF THE ENGINEER OR ARCHITECT OF RECORD FOR THE PROJECT OF INSTALLATION.
- 1X AND 2X BUCKS (WHEN USED) SHALL BE DESIGNED AND ANCHORED TO PROPERLY TRANSFER ALL LOADS TO THE STRUCTURE. BUCK DESIGN AND INSTALLATION IS THE RESPONSIBILITY OF THE ENGINEER OR ARCHITECT OF RECORD FOR THE PROJECT OF INSTALLATION.
- THE INSTALLATION DETAILS DESCRIBED HEREIN ARE GENERIC AND MAY NOT REFLECT ACTUAL CONDITIONS FOR A SPECIFIC SITE. IF SITE CONDITIONS CAUSE INSTALLATION TO DEVIATE FROM THE REQUIREMENTS DETAILED HEREIN, A LICENSED ENGINEER OR ARCHITECT SHALL PREPARE SITE SPECIFIC DOCUMENTS FOR USE WITH THIS DOCUMENT IN NON-HVHZ AREAS.
- APPROVED IMPACT PROTECTIVE SYSTEM **IS NOT REQUIRED** ON THIS PRODUCT IN WIND ZONE 2 OR LESS.
- APPROVED IMPACT PROTECTIVE SYSTEM **IS REQUIRED** ON THIS PRODUCT IN WIND ZONE 3 OR MORE.
- WINDOW FRAME MATERIAL: FIBERGLASS COMPOSITE
- GLASS MEETS THE REQUIREMENTS OF ASTM E 1300 GLASS CHARTS. SEE SHEET 1 FOR GLAZING DETAILS.

| MAX. WINDOW FRAME SIZE | | CONFIG. | DESIGN PRESSURE | GLASS TYPE | MISSILE IMPACT RATING |
|------------------------|--------|---------|-----------------|------------|-----------------------|
| WIDTH | HEIGHT | | | | |
| 56.5" | 73.5" | O | +50/-50 PSF | G1 | MISSILE LEVEL C |
| 35.5" | 73.5" | O | +50/-50 PSF | G2/G2A | |

| TABLE OF CONTENTS | |
|-------------------|-------------------------------------|
| SHEET | SHEET DESCRIPTION |
| 1 | GENERAL NOTES & GLAZING DETAILS |
| 2 | ELEVATIONS & ANCHOR LAYOUTS |
| 3 | VERTICAL SECTIONS |
| 4 | HORIZONTAL SECTIONS |
| 5 | INSTALLATION NOTES & ANCHOR DETAILS |



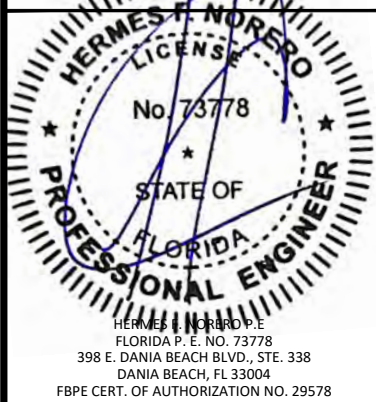
- GLAZING NOTES:**
- GLASS TYPE COMPLIES WITH ASTM E1300 REQUIREMENTS.
 - TEMPER AND SAFETY GLAZING REQUIREMENTS SHALL BE REVIEWED ON A SITE SPECIFIC BASIS.
 - SETTING BLOCK DUROMETER HARDNESS OF 70-90 (SHORE A) AS REFERENCED IN FBC CHAPTER 24.
 - TWO APPROVED SETTING BLOCKS SHALL BE USED FOR GLASS WIDER THAN 36" AS PER FBC CHAPTER 24.
 - D.L.O. AND DESIGN PRESSURES MAY NOT EXCEED MAX VALUES IN DP TABLE ON SHEET 1, AND ELEVATION ON SHEET 2.

TITLE: IMPERVIA 2.0 FIXED CASEMENT (NON-HVHZ) (IMPACT)
GENERAL NOTES & GLAZING DETAILS

PREPARED BY: **BD BUILDING DROPS**
398 E. DANIA BEACH BLVD., STE. 338
DANIA BEACH, FL 33004
PH: (954)399-8478
FAX: (954)744-4738
WEB: www.buildingdrops.com

| REMARKS | BY | DATE |
|---------|----|------|
| | | |
| | | |
| | | |

THE INSTALLATION DETAILS DESCRIBED HEREIN ARE GENERIC AND MAY NOT REFLECT ACTUAL CONDITIONS FOR A SPECIFIC SITE. IF SITE CONDITIONS CAUSE INSTALLATION TO DEVIATE FROM THE REQUIREMENTS DETAILED HEREIN, A LICENSED ENGINEER OR ARCHITECT SHALL PREPARE SITE SPECIFIC DOCUMENTS FOR USE WITH THIS DOCUMENT.



FL35284

DATE: 06/28/23

DWG. BY: OL CHK. BY: HFN

SCALE: NTS

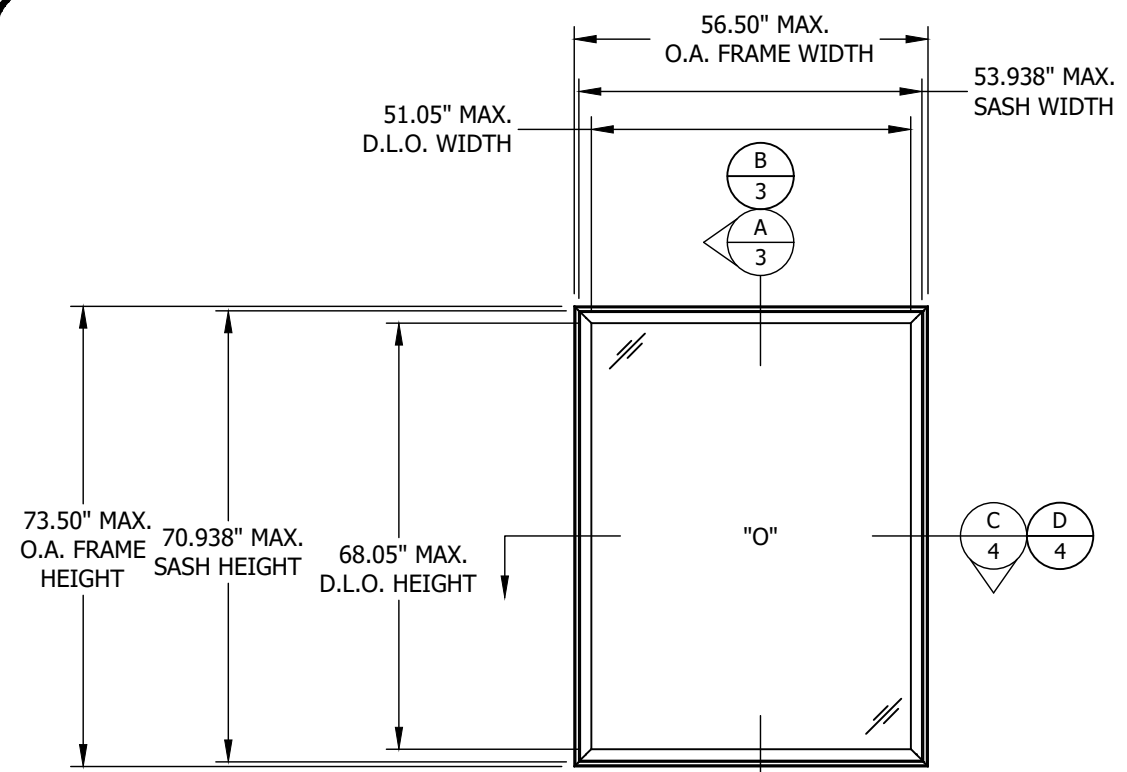
DWG. #: PLA002

SHEET: 1 OF 5

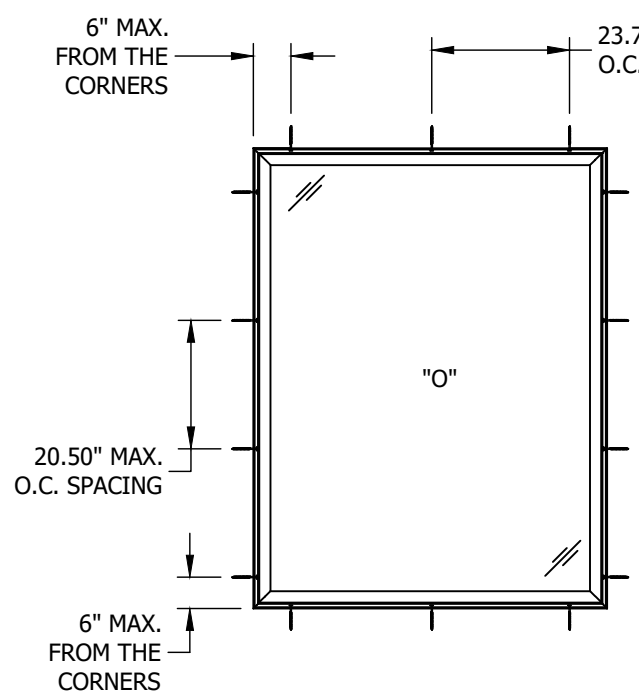


102 MAIN ST.
PELLA, IA 50219
PH: (641) 621-6096

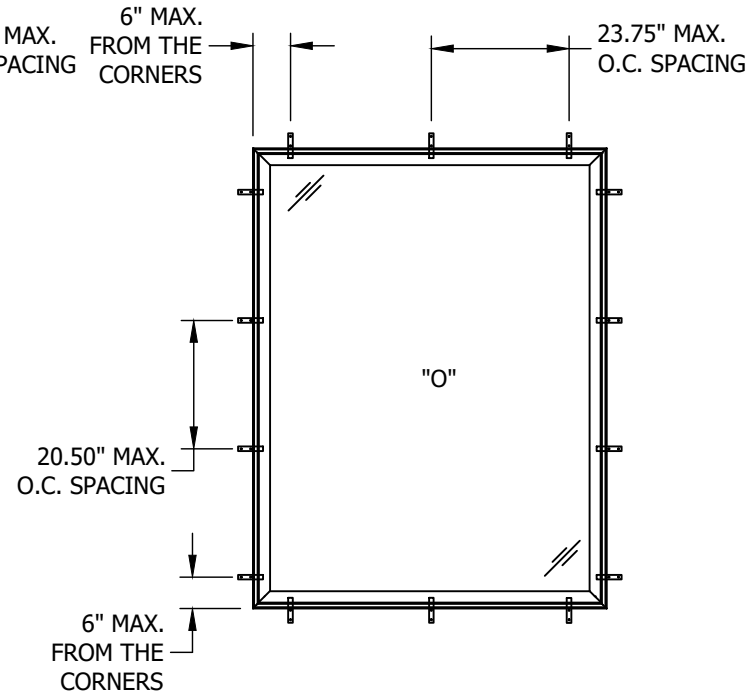
INSTALLATION LEGEND:
— THROUGH FRAME
▬ CLIP



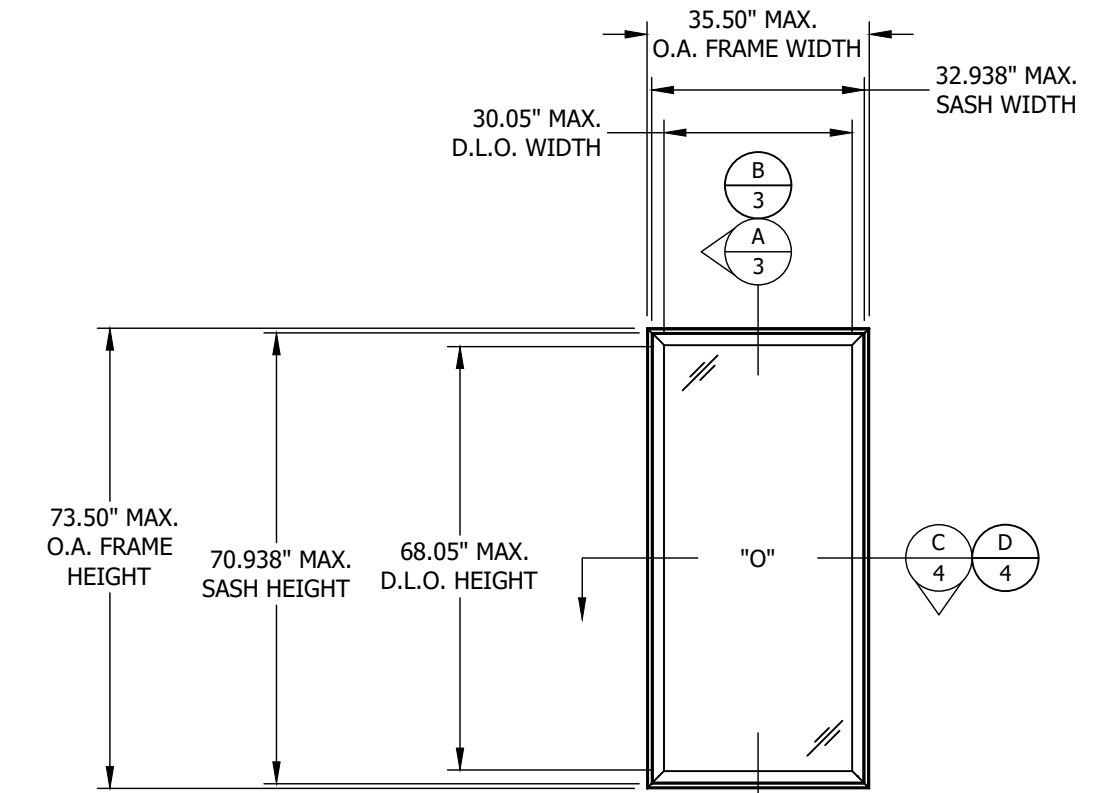
ELEVATION
FIXED CASEMENT WINDOW



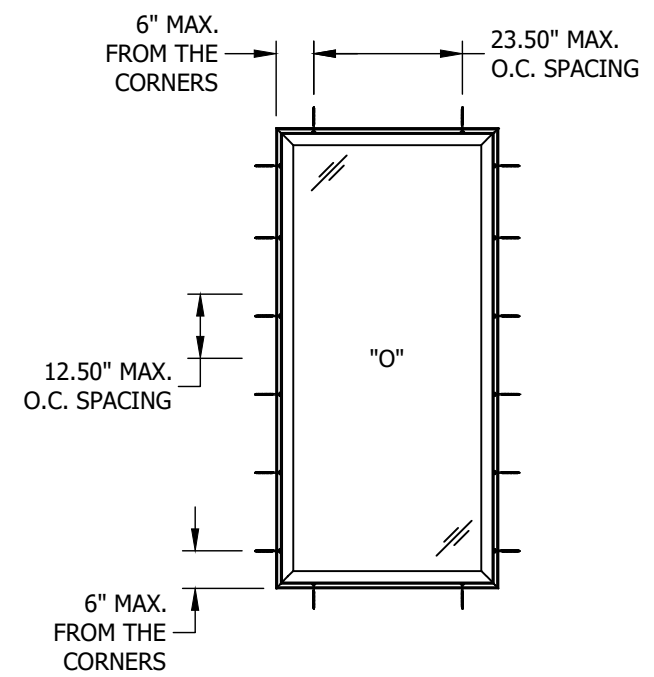
ANCHOR LAYOUT
THROUGH FRAME INSTALLATION



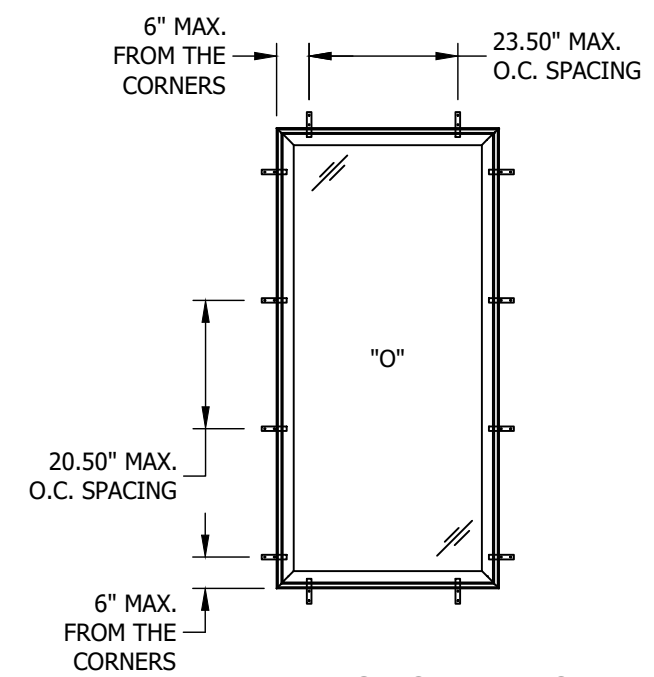
ANCHOR LAYOUT
CLIP INSTALLATION



ELEVATION
FIXED CASEMENT WINDOW



ANCHOR LAYOUT
THROUGH FRAME INSTALLATION



ANCHOR LAYOUT
CLIP INSTALLATION

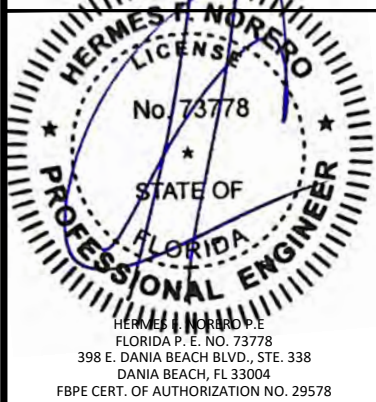
NOTE: TWO (2) INSTALLATION ANCHORS PER CLIP LOCATION.

TITLE: IMPERVIA 2.0 FIXED CASEMENT (NON-HVHZ) (IMPACT)
ELEVATIONS & ANCHOR LAYOUTS

PREPARED BY: **BD BUILDING DROPS**
398 E. DANIA BEACH BLVD., STE. 338
DANIA BEACH, FL 33004
PH: (954)399-8478
FAX: (954)744-4738
WEB: www.buildingdrops.com

| REMARKS | BY | DATE |
|---------|----|------|
| | | |
| | | |
| | | |

THE INSTALLATION DETAILS DESCRIBED HEREIN ARE GENERIC AND MAY NOT REFLECT ACTUAL CONDITIONS FOR A SPECIFIC SITE. IF SITE CONDITIONS CAUSE INSTALLATION TO DEVIATE FROM THE REQUIREMENTS DETAILED HEREIN, A LICENSED ENGINEER OR ARCHITECT SHALL PREPARE SITE SPECIFIC DOCUMENTS FOR USE WITH THIS DOCUMENT.



| | |
|----------------|--------------|
| FL35284 | |
| DATE: 06/28/23 | |
| DWG. BY: OL | CHK. BY: HFN |
| SCALE: NTS | |
| DWG. #: PLA002 | |
| SHEET: 2 | OF 5 |



102 MAIN ST.
PELLA, IA 50219
PH: (641) 621-6096

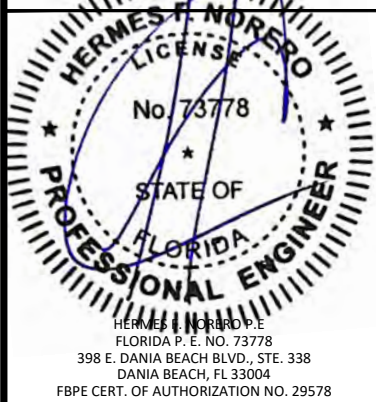
TITLE: IMPERVIA 2.0 FIXED CASEMENT
(NON-HVHZ) (IMPACT)
VERTICAL SECTIONS

PREPARED BY:
BD
BUILDING DROPS



| REMARKS | BY | DATE |
|---------|----|------|
| | | |
| | | |
| | | |

THE INSTALLATION DETAILS DESCRIBED HEREIN ARE GENERIC AND MAY NOT REFLECT ACTUAL CONDITIONS FOR A SPECIFIC SITE. IF SITE CONDITIONS CAUSE INSTALLATION TO DEVIATE FROM THE REQUIREMENTS DETAILED HEREIN, A LICENSED ENGINEER OR ARCHITECT SHALL PREPARE SITE SPECIFIC DOCUMENTS FOR USE WITH THIS DOCUMENT.



FL35284

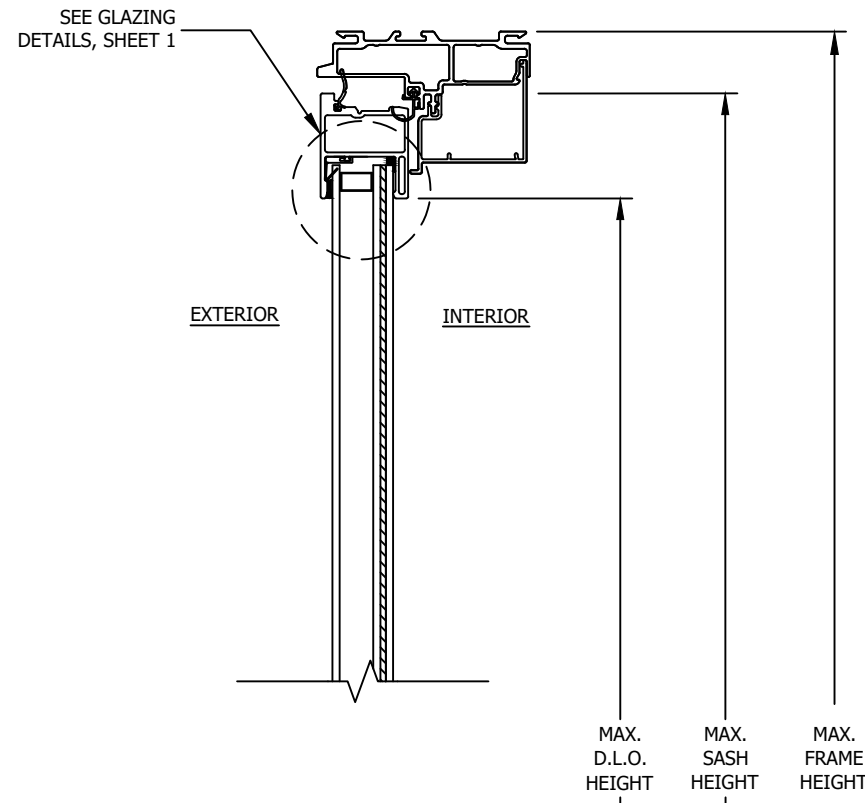
DATE: 06/28/23

DWG. BY: OL CHK. BY: HFN

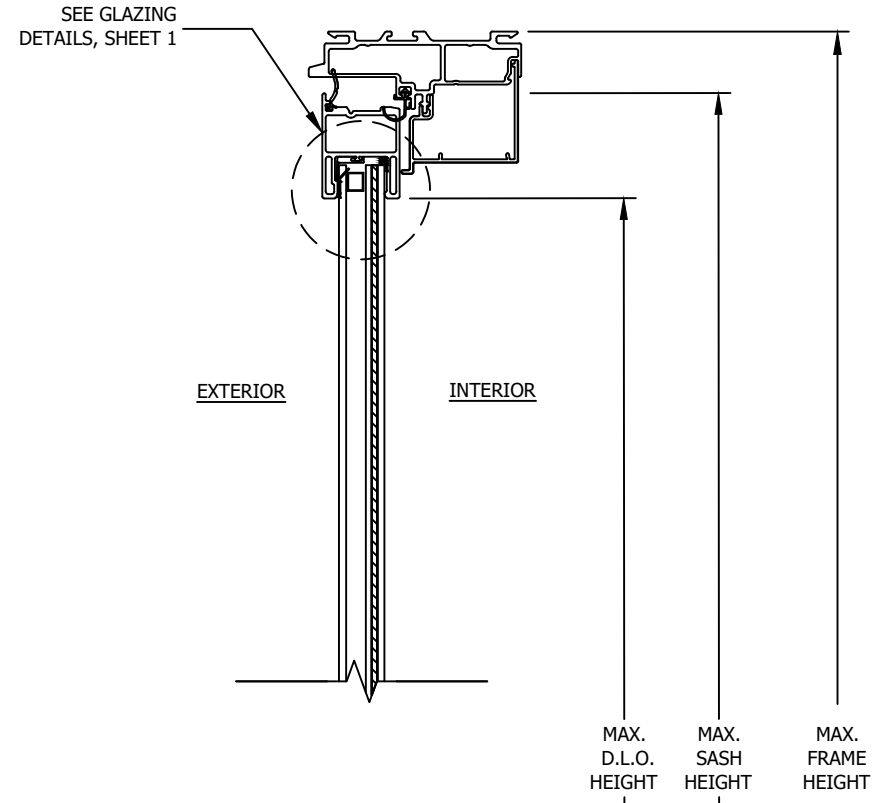
SCALE: NTS

DWG. #: PLA002

SHEET: OF 5



B
3
VERTICAL SECTION
WIDE SASH



A
3
VERTICAL SECTION
STANDARD SASH



102 MAIN ST.
PELLA, IA 50219
PH: (641) 621-6096

TITLE: IMPERVIA 2.0 FIXED CASEMENT
(NON-HVHZ) (IMPACT)
HORIZONTAL SECTIONS

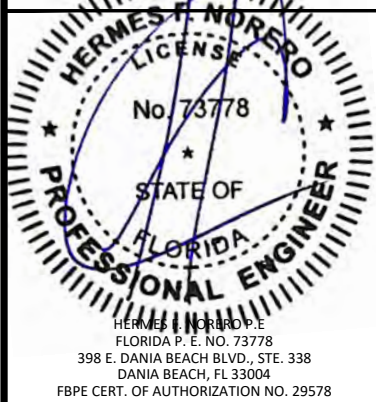
PREPARED BY:
BD
BUILDING DROPS



BUILDING DROPS, INC.
398 E. DANIA BEACH BLVD., STE. 338
DANIA BEACH, FL 33004
PH: (954)399-8478
FAX: (954)744-4738
WEB: www.buildingdrops.com

| REMARKS | BY | DATE |
|---------|----|------|
| | | |
| | | |
| | | |

THE INSTALLATION DETAILS DESCRIBED HEREIN ARE GENERIC AND MAY NOT REFLECT ACTUAL CONDITIONS FOR A SPECIFIC SITE. IF SITE CONDITIONS CAUSE INSTALLATION TO DEVIATE FROM THE REQUIREMENTS DETAILED HEREIN, A LICENSED ENGINEER OR ARCHITECT SHALL PREPARE SITE SPECIFIC DOCUMENTS FOR USE WITH THIS DOCUMENT.



FL35284

DATE: 06/28/23

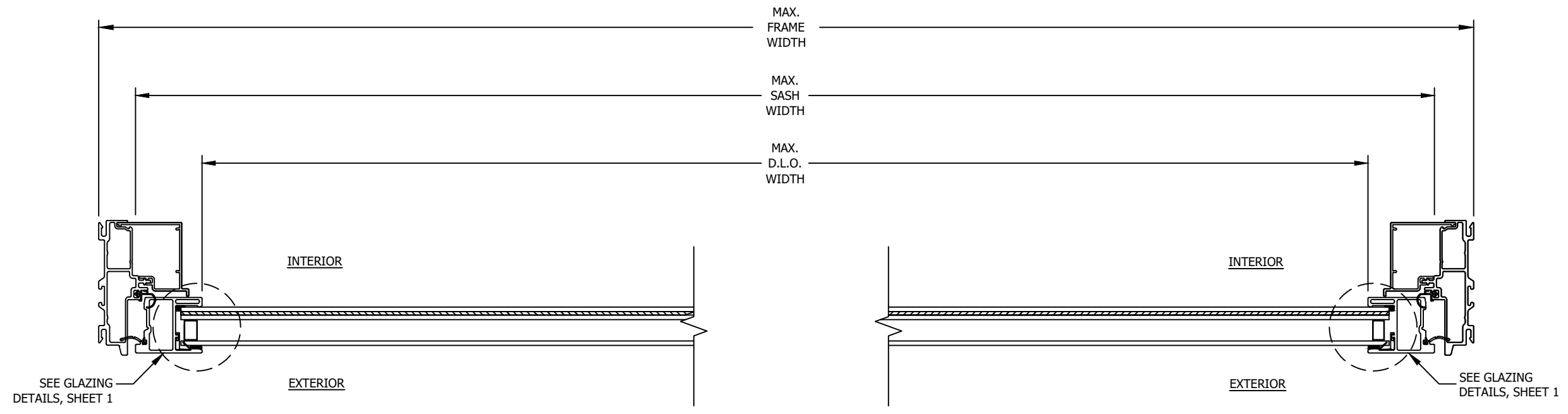
DWG. BY: OL CHK. BY: HFN

SCALE: NTS

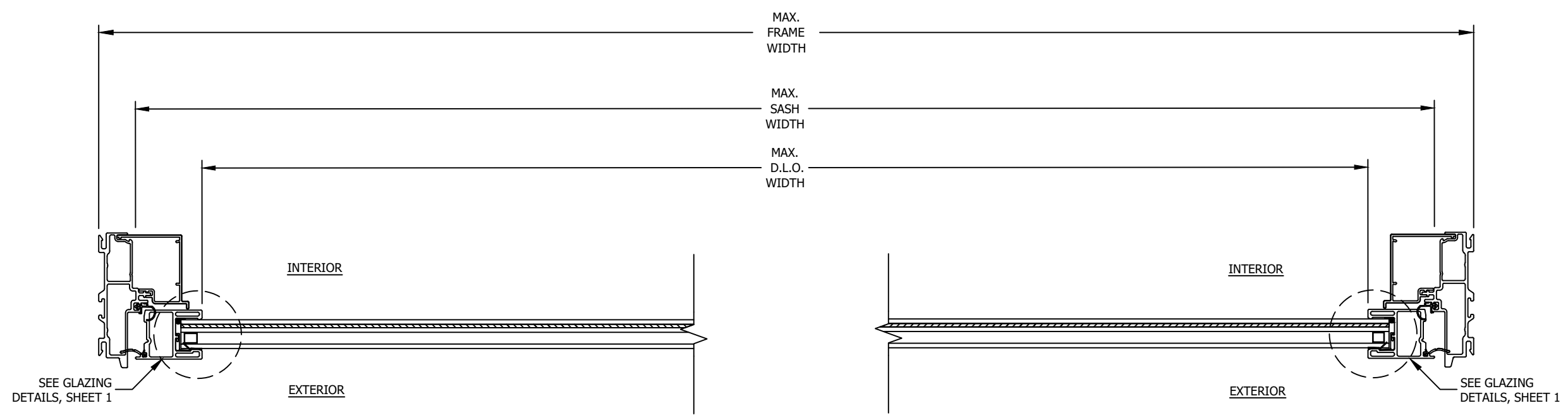
DWG. #: PLA002

SHEET: OF 5

4



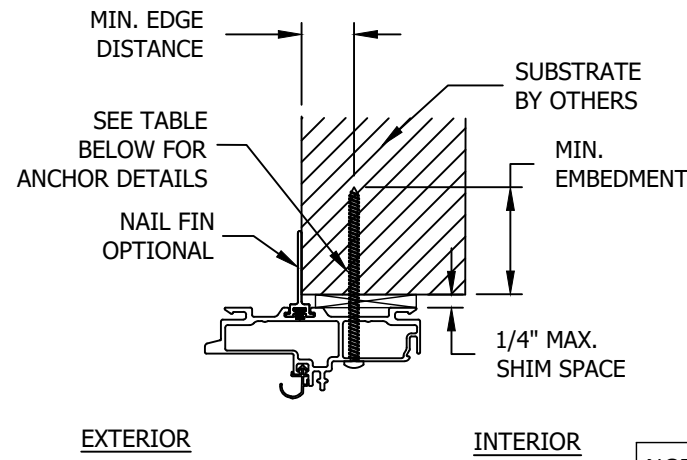
C
4 HORIZONTAL SECTION
WIDE SASH



D
4 HORIZONTAL SECTION
STANDARD SASH

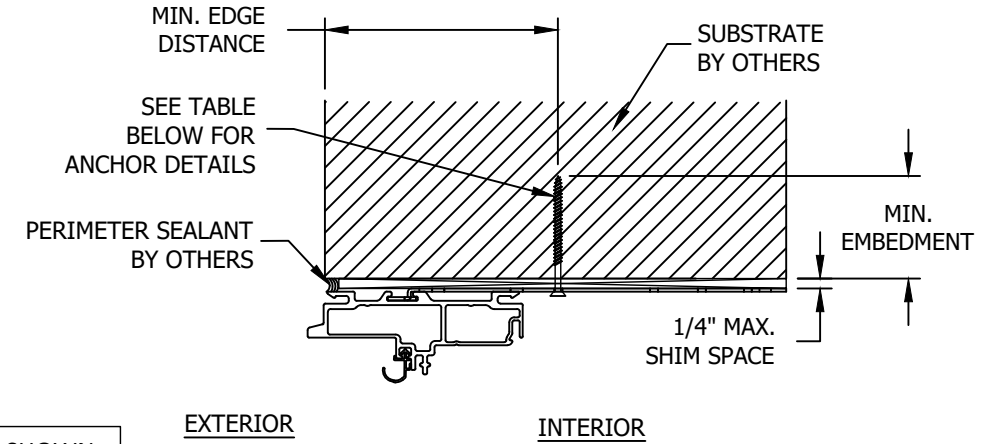


102 MAIN ST.
PELLA, IA 50219
PH: (641) 621-6096

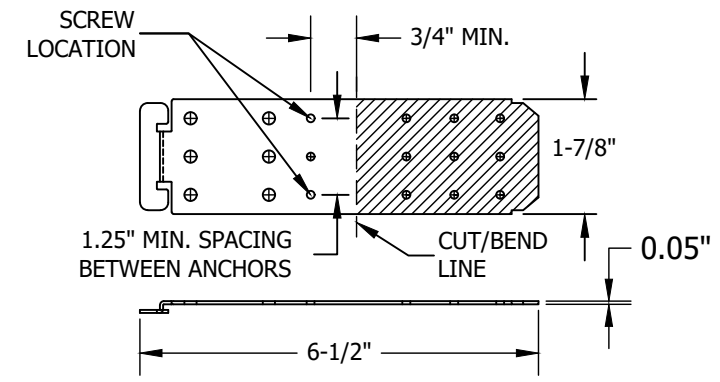


NOTE: HEAD SHOWN,
JAMB & SILL SIMILAR

A
5 ANCHOR DETAIL
THROUGH FRAME INSTALLATION (HEAD)



B
5 ANCHOR DETAIL
CLIP INSTALLATION (HEAD)



NOTE: EXCESS CLIP TAB MAY
BE CUT OFF OR BENT OVER
THE SUBSTRATE

C
5 INSTALLATION CLIP
STEEL

INSTALLATION NOTES:

- ONE (1) INSTALLATION ANCHOR IS REQUIRED AT EACH ANCHOR LOCATION SHOWN.
- THE NUMBER OF INSTALLATION ANCHORS DEPICTED IS THE MINIMUM NUMBER OF ANCHORS TO BE USED FOR PRODUCT INSTALLATION OF THE MAXIMUM SIZE LISTED.
- INSTALL INDIVIDUAL INSTALLATION ANCHORS WITHIN A TOLERANCE OF ±1/2 INCH THE DEPICTED LOCATION & SPACING IN THE ANCHOR LAYOUT DETAILS (I.E., WITHOUT CONSIDERATION OF TOLERANCES). TOLERANCES ARE NOT CUMULATIVE FROM ONE INSTALLATION ANCHOR TO THE NEXT.
- SHIM AS REQUIRED AT EACH INSTALLATION ANCHOR WITH LOAD BEARING SHIM(S). MAXIMUM ALLOWABLE SHIM STACK TO BE 1/4" INCH. SHIM WHERE SPACE OF 1/16 INCH OR GREATER OCCURS. SHIM(S) SHALL BE CONSTRUCTED OF HIGH DENSITY PLASTIC OR BETTER.
- FOR MASONRY OR CONCRETE OPENINGS, 1X WOOD BUCK MAY BE USED (OPTIONAL AS LONG AS THE MINIMUM EMBEDMENT AND EDGE DISTANCE REQUIREMENTS ARE STILL MET WITHIN THE CORRESPONDING HOST SUBSTRATE. SEE GENERAL NOTE #3 ON SHEET 1 FOR MORE INFORMATION.
- MINIMUM EMBEDMENT AND EDGE DISTANCE EXCLUDE WALL FINISHES, INCLUDING BUT NOT LIMITED TO STUCCO, FOAM, BRICK VENEER, AND SIDING.
- INSTALLATION ANCHORS AND ASSOCIATED HARDWARE MUST BE MADE OF CORROSION RESISTANT MATERIAL OR HAVE A CORROSION RESISTANT COATING.
- FOR HOLLOW BLOCK AND GROUT FILLED BLOCK, DO NOT INSTALL INSTALLATION ANCHORS INTO MORTAR JOINTS. EDGE DISTANCE IS MEASURED FROM FREE EDGE OF BLOCK OR EDGE OF MORTAR JOINT INTO FACE SHELL OF BLOCK.
- INSTALLATION ANCHORS SHALL BE INSTALLED IN ACCORDANCE WITH ANCHOR MANUFACTURER'S INSTALLATION INSTRUCTIONS, AND ANCHORS SHALL NOT BE USED IN SUBSTRATES WITH STRENGTHS LESS THAN THE MINIMUM STRENGTH SPECIFIED BY THE ANCHOR MANUFACTURER.

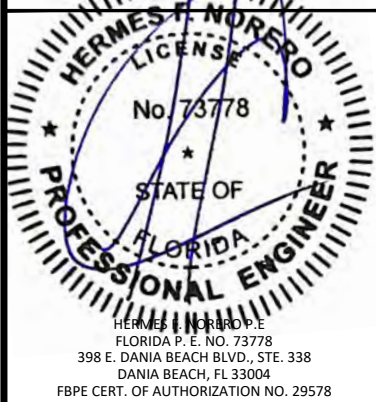
| ANCHOR SCHEDULE | | | | | | |
|-----------------------------------|----------------|--|------------------------|---|--------------------|-------------|
| METHOD | SUBSTRATE TYPE | SUBSTRATE | ANCHOR TYPE | MIN. EMBEDMENT | MIN. EDGE DISTANCE | SPACING |
| THROUGH FRAME & CLIP INSTALLATION | A | WOOD: MIN. SG = 0.55 | #8 WOOD SCREW | 1.50" | 0.75" | SEE SHEET 2 |
| | B | METAL: 18 GAUGE STEEL, MIN. Fy = 33KSI ALUMINUM .125" MIN, 6063-T5 MIN | #8 SELF DRILLING SCREW | 3 THREADS MIN. PENETRATION BEYOND METAL | 0.50" | |
| | C | CONCRETE: f'c=3000PSI | 3/16" ITW TAPCON | 1.25" | 2.00" | |
| | D | MASONRY: CMU PER ASTM C90 MIN. 2000 PSI | | 1.00" | 2.00" | |

TITLE: IMPERVIA 2.0 FIXED CASEMENT (NON-HVHZ) (IMPACT)
INSTALLATION NOTES & ANCHOR DETAILS

PREPARED BY:
BD BUILDING DROPS
BUILDING DROPS, INC.
398 E. DANIA BEACH BLVD., STE. 338
DANIA BEACH, FL 33004
PH: (954)395-8478
FAX: (954)744-4738
WEB: www.buildingdrops.com

| REMARKS | BY | DATE |
|---------|----|------|
| | | |
| | | |
| | | |

THE INSTALLATION DETAILS DESCRIBED HEREIN ARE GENERIC AND MAY NOT REFLECT ACTUAL CONDITIONS FOR A SPECIFIC SITE. IF SITE CONDITIONS CAUSE INSTALLATION TO DEVIATE FROM THE REQUIREMENTS DETAILED HEREIN, A LICENSED ENGINEER OR ARCHITECT SHALL PREPARE SITE SPECIFIC DOCUMENTS FOR USE WITH THIS DOCUMENT.



FL35284

DATE: **06/28/23**

DWG. BY: **OL** CHK. BY: **HFN**

SCALE: **NTS**

DWG. #: **PLA002**

SHEET: **5** OF 5